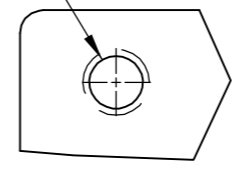


THIS DRAWING IS UNPUBLISHED. RELEASED FOR PUBLICATION - N/A .
 © COPYRIGHT N/A BY TYCO ELECTRONICS CORPORATION. ALL RIGHTS RESERVED.

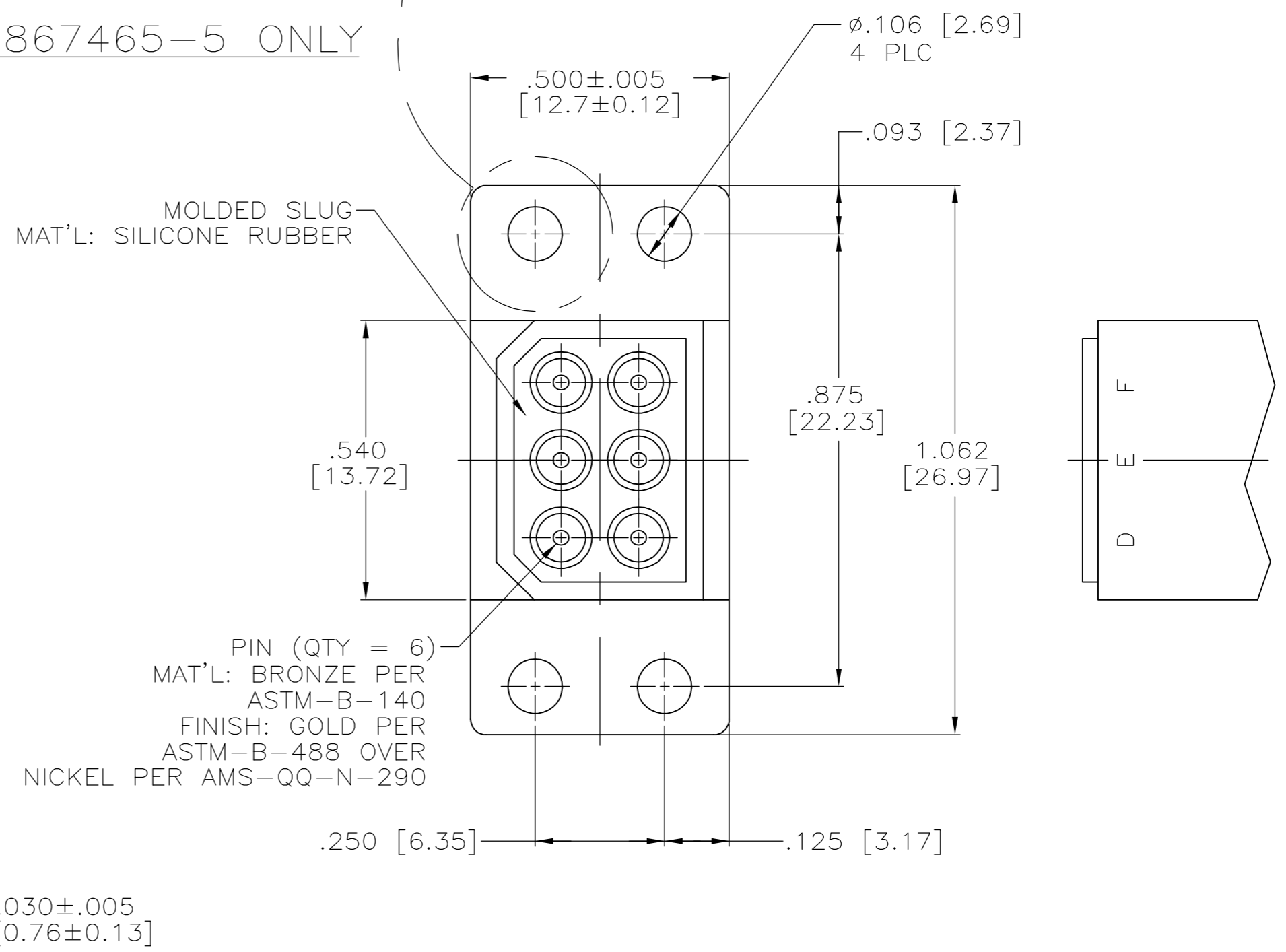
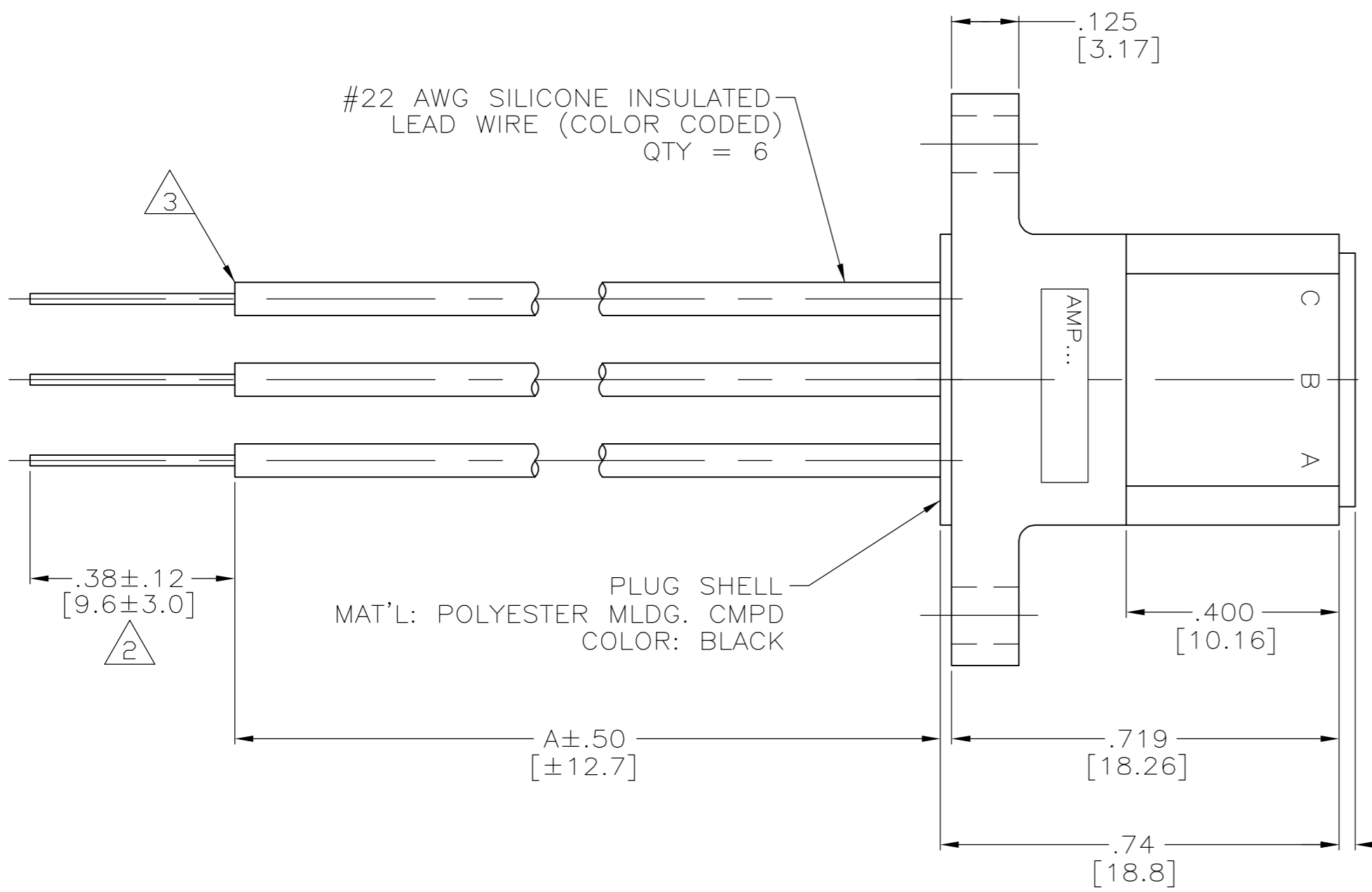
| LOC | DIST | REVISIONS | | | | | |
|-----|------|-----------|-----|-----------------------|---------|-----|------|
| DF | S0 | P | LTR | DESCRIPTION | DATE | DWN | APVD |
| | | F | | REV PER ECO-05-011907 | 15MAY06 | PY | DE |

1. CAVITY I.D. & AMP INFO. MARKED PER MIL-STD-130.
- ② PIGTAILS ARE SOLDER DIPPED.
- ③ INSULATION CUT, BUT NOT REMOVED.

#2-56UNC-2B
4 PLC



867465-5 ONLY



| | |
|---|-------|
| A | BROWN |
| B | RED |
| C | GREEN |
| D | BLUE |
| E | BLACK |
| F | WHITE |

SCHEMATIC

| | | |
|---------|----------------|------------|
| ③ | 36.00 [914.4] | 5-867465-3 |
| ③ | 24.00 [609.6] | 5-867465-2 |
| ③ | 12.00 [304.8] | 5-867465-1 |
| ② | 12.00 [304.8] | 867465-5 |
| ② | 96.00 [2438.4] | 867465-4 |
| ② | 36.00 [914.4] | 867465-3 |
| ② | 24.00 [609.6] | 867465-2 |
| ② | 12.00 [304.8] | 867465-1 |
| REMARKS | A DIM | PART NO. |

| | | | | | |
|---|--|--------------------------------|--|--------------------|---|
| THIS DRAWING IS A CONTROLLED DOCUMENT. | | DWN C.C.THOMAS 07-JUL-93 | tyco Electronics | | Tyco Electronics Corporation Harrisburg, Pa 17105-3608 |
| DIMENSIONS: INCHES [mm] | | CHK D.EABY 13-OCT-93 | NAME PLUG ASSY 6 POSN WITH FLYING LEADS LGH | | |
| TOLERANCES UNLESS OTHERWISE SPECIFIED: 0 PLC ± - 1 PLC ± - 2 PLC ± .03 [0.8] 3 PLC ± .015 [0.38] 4 PLC ± - ANGLES ± - | | APVD D.EABY 13-OCT-93 | PRODUCT SPEC APPLICATION SPEC | | |
| MATERIAL SEE CALLOUTS | | FINISH SEE CALLOUTS | WEIGHT - | SIZE A2 | CAGE CODE 00779 |
| CUSTOMER DRAWING | | | DRAWING NO C=867465 | RESTRICTED TO - | SCALE 4:1 |
| | | | SHEET 1 | OF 1 | REV F |